

Poleplate 330

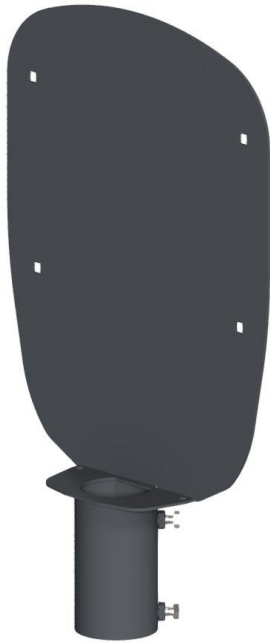


Mounting and installation products E-mobility
Charging box mount - pole plate
NEXT GREEN - POLEPLATE 330

Model

E-No:
27 000 20

Product name:
Charging box mount Poleplate 330



POLE PLATE 330 FEATURES

- Precut hole pattern to suit Charge Amps Aura EV-charger
- For mounting on a \varnothing 60 mm steel tube
- Robust steel construction
- Powder coated, available in various colors. Contact Next Green for more information

Technical specifications

Material
Color

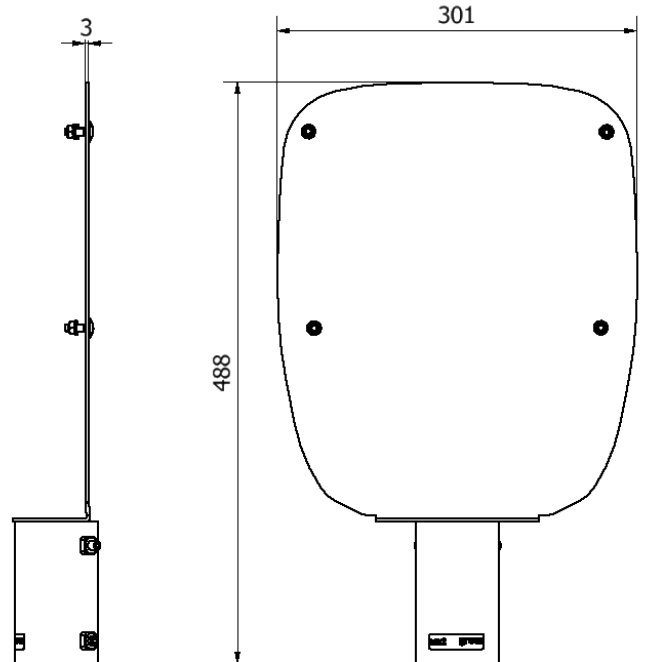
Steel, Powder coated
Graphite grey

Dimensions

Weight 3.5 kg
Height 530 mm
Width 310 mm

Packaging dimensions

Weight 3.5 kg
Height 560 mm
Width 370 mm
Depth 60 mm



vikt: 3,2 kg

Next Green Poleplate 330 is a charger mount for installation on a \varnothing 60 mm pole. Poleplate is made of Swedish steel and powder coated to provide the highest durability and quality. Poleplate enables easy mounting of a charging box to a steel tube.

Poleplate is manufactured in Sweden for the Nordic climate. It has a powder-coated design to withstand wind and weather. The Poleplate charging box holder is a cost-effective pole mount.

Poleplate 330 facilitates changing an engine heater station to a charging station and can be used to replace an engine heater central.



Next Green AB
Brudtallsvägen 14
SE-792 32 MORA
SWEDEN

www.nextgreen.se
info@nextgreen.se
Tel: +46 250 50 39 90